

Charger for Lead Acid batteries

Autodetect 115/230 VAC

- 3-step charge control with current detection as charge termination
- Switch mode charger
- 3-colored LED indicator
- 2-pin IEC 320 input connector
- Mains cord not included
- Waterproof (IP67) version available
- With NTC input on request
- Custom specifications on request
- Approvals:
 - Medically certified EN 60601-1 3ed
 - UL approved
 - For updates: see www.mascot.no
- 3-trinns ladekontroll med strømdeleksjon som ladestopp
- Switch mode lader
- 3-farget lysdiodeindikator
- 2-pins IEC 320 nettkontakt
- Nettledning ikke inkludert
- Vanntett (IP67) versjon kan leveres
- Med NTC input på forespørsel
- Tilpasninger leveres på forespørsel
- Godkjenninger:
 - Medisinsk sertifisert 60601-1 3ed
 - UL godkjent
 - For oppdat.: se www.mascot.no



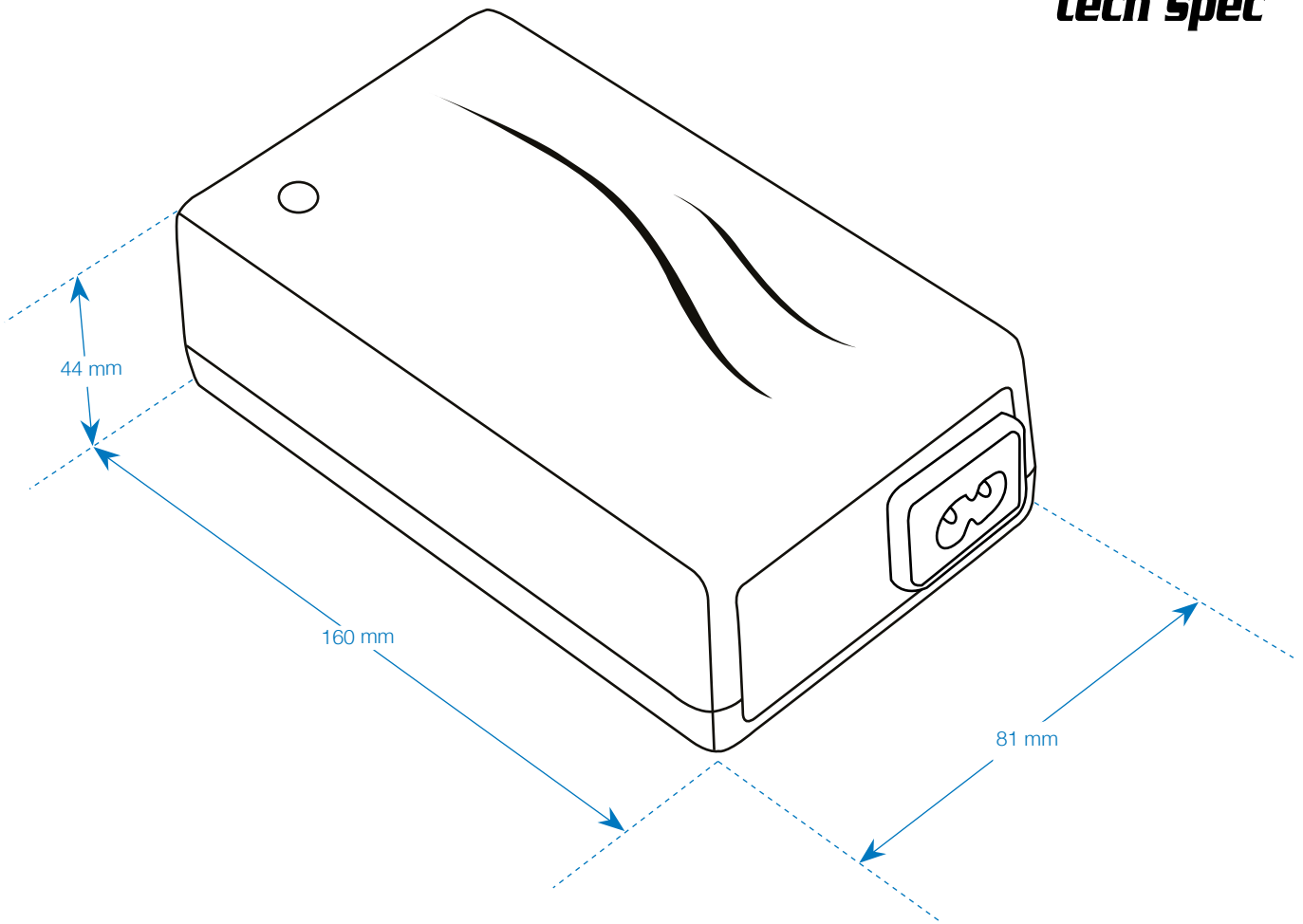
Preliminary Technical Specifications

Foreløpige Tekniske data

Input voltage:	Inngangsspenning	95-130 VAC and 198-264 VAC
Line Frequency:	Frekvensområde	47 – 63Hz
Switch frequency. approx.:	Svitsjefrekvens ca.	65kHz
Leakage current from battery with mains switched off:	Strømtrekk fra batteri ved frakoblet nett:	<0.6mA (12V) <1.0mA (24V)
Temperature range	Temperaturområde	
• operating:	• drift	-25 °C - +40 °C
• storage:	• lagring	-25 °C - +85 °C
Ripple (at 100% load. 230V):	Rippel (100% last. 230V)	< 100 mV p-p
Protection:	Sikring	Protected against reversed polarity and short circuit proof / Polvendings- og kortslutningssikker
Insulation class:	Isolasjonsklasse	II
Insulation voltage:	Isolasjonsspenning	
Primary – secondary:	Primær - sekundær:	4000VAC / 5700VDC
Electrical safety:	Elektrisk sikkerhet	EN 60601-1. EN 60335-2-29
EMC standards	EMC standarder	
• Medical:	• Medisinsk	EN 60601-1-2
• Emission:	• Emisjon	EN 61000-6-3
• Immunity:	• Immunitet	EN 61000-6-1
Input terminal:	Inngangsterminal:	2-pins IEC 60320 connector
Output terminals:	Utgangsterminaler:	Battery clips / Push on terminals or DC connector
IP-code:	IP-Grad:	41 (IP67 on request)
Dimensions (LxWxH)	Mål (LxBxH)	160 x 81 x 44mm
Weight	Vekt	590g (1090g IP67 version)

Versions - Versjoner

				Charge control - Ladekontroll				
				Step 1 (orange)	Step 2a (orange)	Step 2b (yellow /gul)	Step 3 (green /grønn)	
Rec. batt. capacity	Max output power (W)	Efficiency (100% at 230V)	Charge Current	Charge Voltage	To yellow when current is:	Charge Termin. when current is:	Standby voltage	
Anbef. batt. kapasitet	Max utg. effekt	Virkningsgrad	Ladestrøm	Ladespenning	Til Gul når strøm er:	Ladestopp når strøm er:	Vedlikeholds spenning	
6 V	42-120 Ah	62 W	>86%	8.5A +0/-0.1A	7.35V ±0.05V	< 4.25A ±0.2A	< 1.6A ±0.2A	6.85V±0.05V
12 V	35-120 Ah	103 W	>89%	7.0A +0/-0.4A	14.7V ±0.15V	< 3.5A ±0.2A	< 1.6A ±0.2A	13.7V±0.15V
24 V	17-60 Ah	103 W	>89%	3.5A +0/-0.3A	29.4V ±0.2V	< 1.7A ±0.2A	< 0.8A ±0.2A	27.4V±0.3V
48 V	35-120 Ah	100 W	>89%	1.7A +0/-0.3A	58.8V ±0.3V	< 0.9A ±0.2A	< 0.4A ±0.1A	54.8V±0.3V



Mounting brackets

TYPE 201970

1 mounting bracket per unit
Available separately

