

# Oil&Gas -MWD/LWD

MODEL : DD-MR-165

PN : 32-126-M165G



ISO 9001 : 2008  
ISO 14001 : 2004  
MSDS, RoHS, UN

## Characteristics

- 3.6V DD-Size Lithium Thionyl Chloride Cell(Li-SOCl<sub>2</sub>), Gallium Electrolyte
- Moderate Rate Capability
- High Capacity
- Extreme Shock and Vibration Resistance
- 165°C Operational Temperature

## Key Features

- 304L stainless steel structure
- Non-bulge design
- Hermetic glass-to-metal seal engineered for leak free operation
- Integral parallel diode
- Reduced Electrode Surface Area

## Benefits

- Industry leading capacity in Non-Bulge Design
- Moderate Rate Capability for constant current and pulse applications
- Gallium based electrolyte providing excellent start up and minimal passivation
- Automated assembly for uniform performance
- Extreme shock and vibration resistant design, trouble free operations under severe drilling conditions

## Technical Support

- We pledge our full support to provide you with the service you deserve
- Application Analysis
- Testing and Test Reports
- Analysis of field problems and reports
- Engineering support for custom applications

## Abuse and Transport Certifications

- UN/DOT Certified : Class 9 Transport, UN3090 Lithium Metal Batteries
- Shock Testing : To be determined
- Vibration Testing : To be determined

## Cell Characteristics

<b>Nominal Capacity</b>	26Ah ~ 29Ah
<small>Based on 300mA discharge at temperatures of 25~165°C to a 2.0V cutoff. Discharge at higher currents or lower temperatures will affect capacity obtained.</small>	
<b>Open Circuit Voltage</b> At 20°C	3.65V
<b>Nominal Closed Circuit Voltage</b>	3.2V
<small>Based on stable CCV produced at 25°C under a 140mA load. The CCV of a cell will decay slightly over discharge due to the normal increase in internal impedance.</small>	
<b>Constant Current Discharge</b>	300mA 600mA(reduced capacity)
<b>Storage Conditions</b>	30°C (86°F) Max
<b>Operational Temperature Range</b>	-40°C to 165°C
<small>Note full capacity is obtained at temperatures of 25°C and above. Below 25°C both the rate capability and the capacity of the cell are reduced.</small>	
<b>Parallel Diode</b>	3.0A

## Physical Characteristics

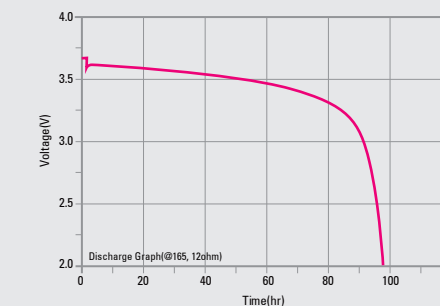
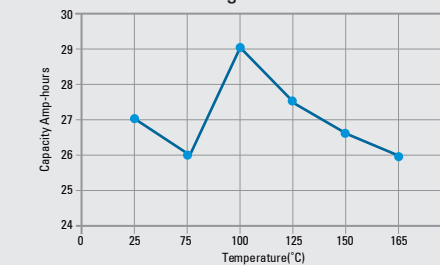
Diameter	31.9mm(1.26 in)
Height	127.0mm(5.0 in)
Weight	225g
Lithium Metal Content	8.60g

## Packing Information

Packing Qty per C/T	64
Net Weight per C/T(Kg)	14.4
Gross Weight per C/T(Kg)	15.5
C/T Size	427mm×302mm×210mm

## Temperature versus Capacity

Discharge Temperature vs. Nominal Capacity  
12Ω Discharge 25°C to 165°C



## Storage

- Store cells in a cool(<30°C) and dry location

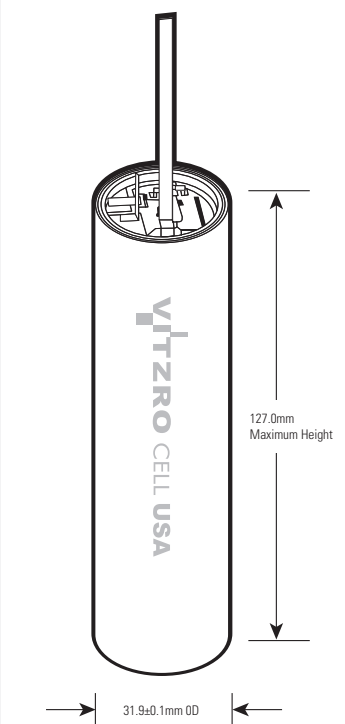
## Warning

- Fire, explosion, and burn hazard
- Contents of this hermetically sealed cell are water reactive and will produce flammable and toxic gases if exposed to water
- Do not recharge, expose to flame, short circuit, crush, disassemble, or incinerate
- Do not expose cell to temperatures in excess of the maximum operating temperature, 165°C

## Note

- Any information given here is for reference only.
- Information is also dependent on actual conditions and does not guaranty future performance. And subject to change.

## External Dimensions



## VITZROCELL USA, Inc.

### USA Sales & Warehouse

10804 Fallstone, Suite 200,  
Houston, TX 77099, USA  
Office : 1 832 850 7095  
Email : arose@vitzrocellusa.com  
Web : www.vitzrocellusa.com

### Canada Sales

Email : jlundquist@vitzrocellusa.com  
Web : www.vitzrocellusa.com

## VITZROCELL Co., Ltd.

Head Office & Factory  
Chusa-ro 235-35 Sinam-myun, Yesan-gun,  
Chungcheongnam-do, South Korea  
(Zip code : 32417)  
Tel : +82-41-332-8642  
Fax : +82-41-332-8646  
Seoul Office  
VITZROCELL B/D 25Gil-10 Neungdong-ro,  
Gwangjin-Gu, Seoul (Zip code : 04998)  
Tel : +82-2-2024-3252  
Fax : +82-2-499-2756  
Email : overseas@vitzrocell.com  
Web : www.vitzrocell.com